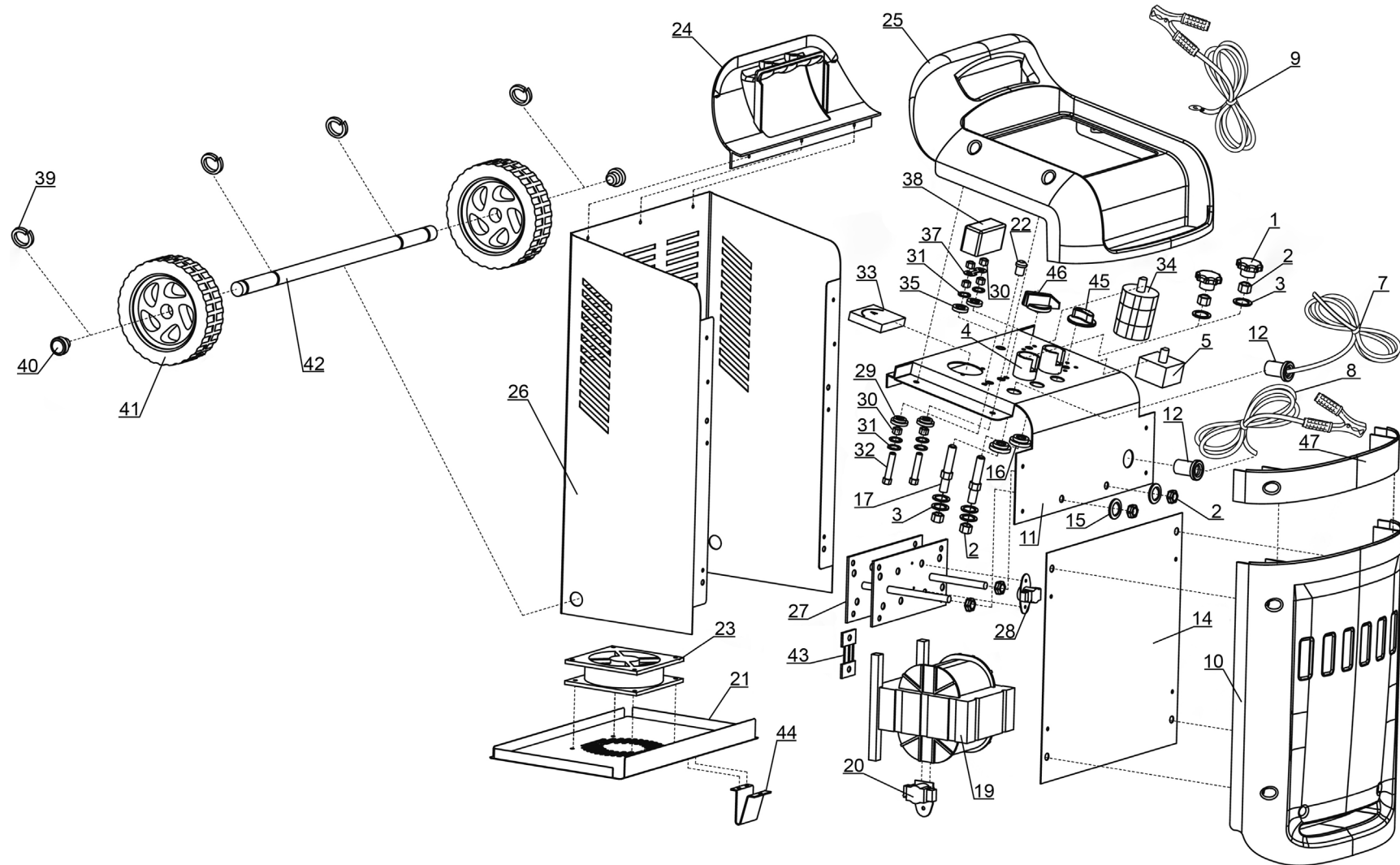




TM

Parts Information:
12/24V Starter/Charger 660/100A 230V
Model No: START660



NOTE: It is our policy to continually improve products and as such we reserve the right to alter data, specifications and component parts without prior notice.

There may be alternative versions of this product, please contact us should you require this information.

IMPORTANT: No liability is accepted for incorrect use of product. Spare parts must be fitted by a competent person

WARRANTY: Guarantee is 12 months from purchase date, proof of which will be required for any claim.

Sealey Group, Kempson Way, Suffolk Business Park, Bury St Edmunds, Suffolk. IP32 7AR



01284 757500



sales@sealey.co.uk



www.sealey.co.uk



Parts Information:
12/24V Starter/Charger 660/100A 230V
Model No: START660

Item	Part No.	Description
1	START800.01	Knob, Plastic Ø38mm M6 Threaded (F)
2	SN8.S	Steel Nut M8
3	FWM8.S	Flat Washer M8
4	START800.04	Terminal Protection Cover
5	START800.05	Timer Switch 16A 250V
7	START660.07	Power Cord
8	START660.08	Cable, Negative (c/w Clamp)
9	START660.09	Cable, Positive (c/w Clamp)
10	START660.10	Front Plastic Panel
11	START660.11	Top Panel
12	START660.12	Cable Grip
14	START800.14	Cover Panel
15	START800.15	Serrated Washer 8mm
16	START800.16	Insulating Washer
17	START800.17	Terminal Bolt M8
19	START660.19	Transformer
20	START660.20	Thermostat for Transformer
21	START660.21	Bottom Panel
22	START660.22	Overload Indicator
23	START660.23	Fan
24	START800.24	Handle Support Panel
25	START800.25	Top Plastic Cover
26	START660.26	Back Panel

Item	Part No.	Description
27	START660.27	Rectifier
28	START660.28	Thermostat for Rectifier
29	START800.29	Insulating Washer A
30	SN6.S	Steel Nut M6
31	FWM6.S	Flat Washer M6
32	SS635.S	Hex Head Set Screw M6 x 35mm
33	START800.33	Ammeter
34	START660.34	Switch, Rotary, HZ5B-20/7/3 (c/w Knob)
35	START800.35	Insulating Washer B
37	START360.F	Fuse 110Amp (Please see Catalogue)
38	START800.38	Fuse Box
39	SWM12.S	Spring Washer M12
40	START800.40	Axle Cap
41	START800.41	Wheel, Fixed, Plastic (c/w Bearings)(Ø147 x 43 x 12mm)
42	START800.42	Wheel Axle 460mm x Ø12mm
43	START660.43	Fusible Link
44	START800.44	Foot
45	START800.45	Knob, Timer Switch Ø39mm, 6mm Semicircular (F)
46	START800.46	Knob Kit Ø34mm (c/w Fitting and 11x 2mm Self Tapping Screw)
47	START800.47	Height Adjusting Panel

NOTE: It is our policy to continually improve products and as such we reserve the right to alter data, specifications and component parts without prior notice. There may be alternative versions of this product, please contact us should you require this information.

IMPORTANT: No liability is accepted for incorrect use of product. Spare parts must be fitted by a competent person

WARRANTY: Guarantee is 12 months from purchase date, proof of which will be required for any claim.

Sealey Group, Kempson Way, Suffolk Business Park, Bury St Edmunds, Suffolk. IP32 7AR



01284 757500



sales@sealey.co.uk



www.sealey.co.uk